

The logo for Creda, featuring the brand name in a bold, white, sans-serif font set against a solid black rectangular background.

COOKER HOOD

**USER HANDBOOK FOR
INSTALLATION AND OPERATION
MODEL CRC60**

Your new Cooker Hood

Using your new Cooker Hood is very simple. Nevertheless, to get the best results it is important that you read this handbook thoroughly **before** installing and using your appliance for the first time.

Electrical Requirements

Any permanent electrical installation must comply with the latest I.E.E. Regulations and local electricity company regulations. For your own safety, this should be undertaken by a qualified electrician eg. your local electricity company or a contractor who is on the roll of the National Inspection Council for Electrical Installation Contracting (NICEIC).

Please ensure that when the appliance is installed it is easily accessible for the engineer in the event of a breakdown.

INCORRECT INSTALLATION COULD AFFECT THE SAFETY OF THE APPLIANCE

If the Cooker Hood is permanently wired in, it must be via a suitable double pole isolating switch placed in a readily accessible position adjacent to the unit.

Electrical Connection

Before connecting to the mains supply ensure that the mains voltage corresponds to the voltage on the rating plate, inside the Cooker Hood.

WARNING: THIS APPLIANCE MUST NOT BE EARTHED!

It is fitted with a 2 core mains supply cable and must be permanently connected to the electricity supply via a double pole switch having 3mm minimum contact gap on each pole. A Switched Fuse Connection Unit to BS 1363 Part 4, is a recommended mains supply connection accessory to ensure compliance with the Safety Requirements applicable to fixed wiring instructions.

DISCONNECT THE COOKER HOOD FROM THE MAINS SUPPLY BEFORE CARRYING OUT ANY KIND OF MAINTENANCE OR CLEANING.

**WARNING:
CHILDREN SHOULD NOT BE ALLOWED TO PLAY WITH THE APPLIANCE OR TAMPER WITH THE CONTROLS.**

CE CE marking certifies that this appliance conforms to the following EEC directives:-
Low Voltage Equipment - 72/23/EEC
Electromagnetic Compatibility - 89/336/EEC

Contents

	Page
Electrical Requirements	2
Get to know your Cooker Hood	4
Installing your Cooker Hood	5-8
Operating your Cooker Hood	9
The Controls	
Do's and Don'ts	
Caring for your Cooker Hood	10-11
Filters and their Replacement	
Cleaning	
How to Replace the Light	
Troubleshooting	12
Key Contacts	Back Cover

Appliance manufactured in EU.

Retention of the Instruction Book

This Instruction Book must be kept handy for reference as it contains important details on the safe and proper use of the appliance.

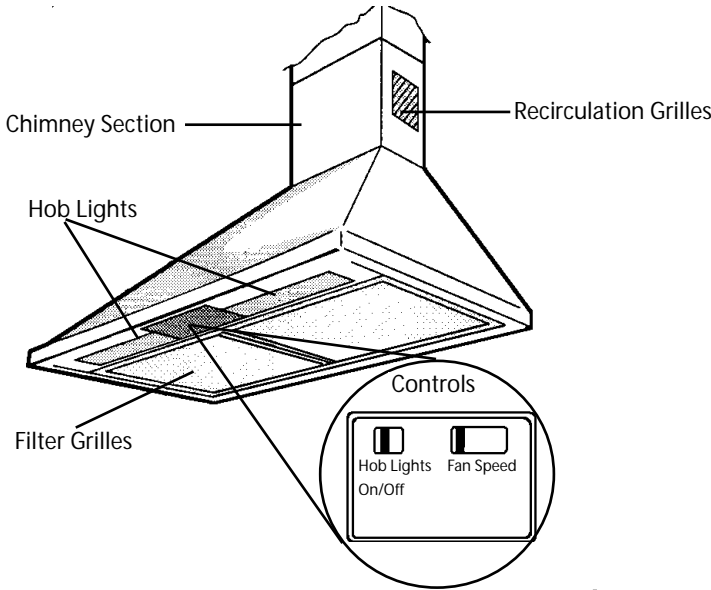
If you sell or pass the appliance to someone else, or move house and leave it behind, make sure this Book is also provided so the new owner can become familiar with the appliance and safety warnings.

If the book is lost or damaged a copy may be obtained from:
GDA Ltd., Morley Way, Peterborough, PE2 9JB

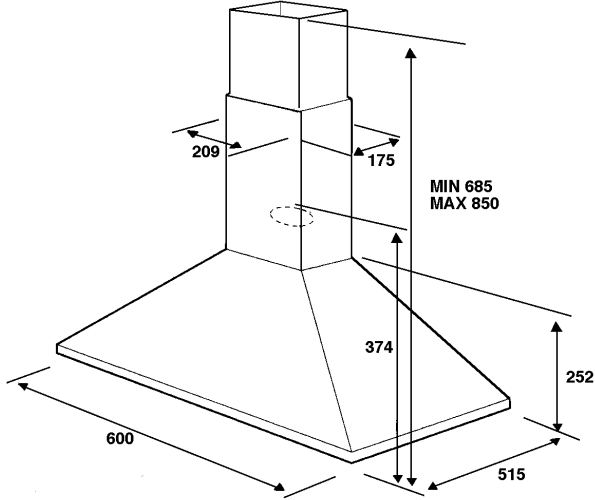
Get to know your Cooker Hood.

Unpacking

Before installation, ensure that you have removed all packing pieces. Ensure the fixing kit, ducting spigots and literature pack are retained with the hood.



Performance Table	
No. of Speeds	3
Pressure pa	290
Capacity (m ³ /h)	
MIN	190
MAX	400
Noise Level (dBA)	
MIN	48
MAX	60



Dimensions

Height adjustable from: 685mm up to 850mm
 Width 600mm
 Depth 515mm

All measurements are in millimetres.

Installing your Cooker Hood

SAFETY WARNINGS: THIS COOKER HOOD IS DESIGNED FOR DOMESTIC USE ONLY.

When installed above a cooking appliance, the distance between the surface of the hob elements and the lower grille of the chimney hood must be as follows:

Minimum 650mm - over an electric hob.
Minimum 700mm - over a gas or mixed fuel hob.

This chimney hood is not suitable for installation above a cooking appliance with a high level grill.

THERMAL CUT-OUT:

The fan motor of this appliance incorporates a thermal cut-out device which will operate if the hood is installed below the minimum recommended heights listed above, or if the motor becomes overheated. If the cut-out device is activated, switch off the fan motor and allow the hood to cool.

The cut-out device will reset itself when the fan motor has cooled significantly.

NOTE: This hood has been designed and approved for installation over an electric hob with a maximum input of 7kW or a gas hob with a maximum input of 10kW when fitted in accordance with the heights recommended above.

Your Cooker Hood can be installed either for recirculation or extraction through an outside wall.

When used in the extraction mode the Cooker Hood ducting must not be connected to a flue which is used for exhausting fumes from a central heating flue or water heating flue.

IMPORTANT: The exhaust air must not be expelled through a smoke or waste-gas chimney which is in use or through a shaft used for ventilating rooms or into the cavity of a cavity wall or into a cupboard above the cooker hood.

If the room contains, a flued fuel burning appliance, such as a gas or oil fired central heating boiler which is not of the 'Balanced Flue' type, you should make sure that there is adequate air inlet into the room at all times, so that fumes from the boiler are not drawn back into the room by the Cooker Hood.

NOTE: All installations must comply with local authorities and building regulation requirements for the discharge of exhaust air into the atmosphere.

All the fittings are supplied. If the hood is to be installed onto a hollow construction or plaster board wall, then special fixings will have to be purchased.

Before drilling, care should be taken to check for electric cables, water pipes or gas pipes on the wall to which the cabinet/canopy is to be fitted.

If the hood can only be fixed to a hollow construction plaster or partition board structure, then the wall must be sufficiently reinforced to be quite rigid in the area of the mounting brackets.

To avoid the risk of accidents when fitting the canopy and chimney to the wall please read and follow the installation instructions.

For ease of installation proceed as follows:

1. Fix the wall brackets.
2. Fix the canopy hood.
3. Connect the hood to the mains supply ensuring that the canopy is functioning correctly.
4. Select the type of installation, ie. ducting or recirculation.
5. Fix the chimney stack.

NOTE: The hood is more efficient in the exhaust mode, therefore, this position should be selected during the warmer months of the year when no heating is being used. When the room is being heated, if the recycle position is selected heat will not be wasted.

Installing your Cooker Hood

WALL FIXINGS:

Lower Fixings

1. Draw a vertical line on the wall, from the centre of the cooking appliance, up to the ceiling. Check the line is vertical using a spirit level.
2. Put the template provided on the wall and drill two $\varnothing 12\text{mm}$ holes (Fig.1 2)
3. Fit two hooks in the drilled holes (Fig.1 3).

Upper Fixing Bracket

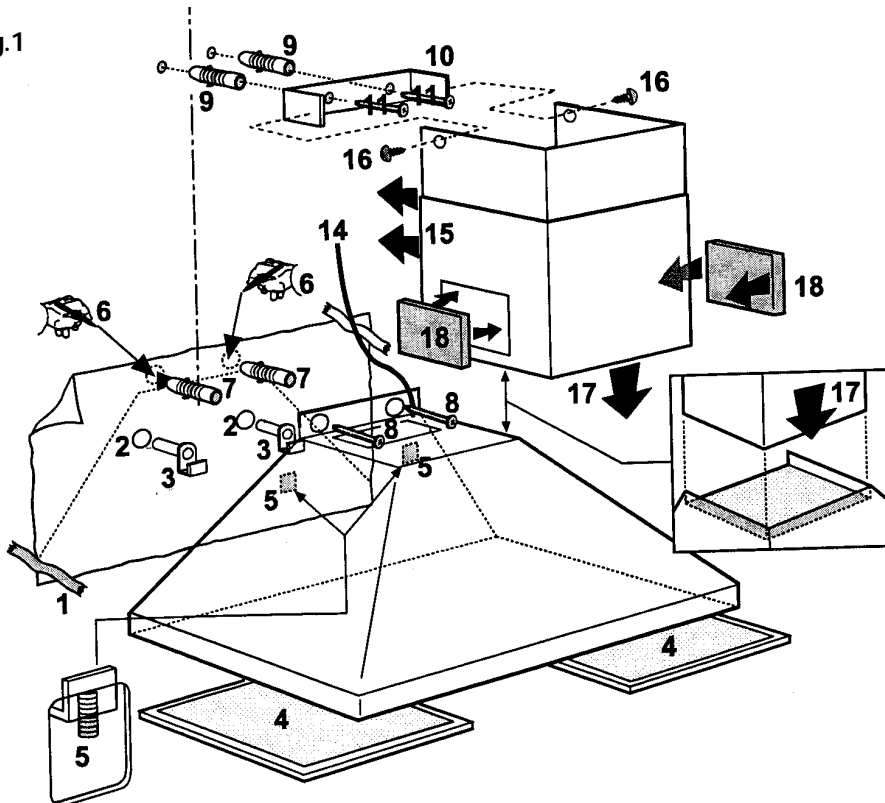
1. Draw a horizontal line through the vertical line, 15mm from the ceiling. Check the line is level using a spirit level.
2. Place the chimney support bracket (Fig.1 10) over the line, ensuring the bracket is level. Mark the positions for the fixing screws.
3. Drill the two holes for the wall bracket, insert the wall plugs and fit the bracket using the screws provided.

FIXING THE CANOPY HOOD:

1. Remove the metal filters (Fig.1 4).
2. Hang the hood canopy on the hooks (Fig.1 3). Adjust the position of the hood using the two screws at the bottom of the hooks (Fig.1 5).
3. Whilst the hood is positioned, mark the two holes (Fig.1 6).
4. Remove the hood and drill the two holes. Insert the wall plugs (Fig.1 7). Return the hood to the hooks and fix with the two screws.

Before fitting the chimney to the canopy, make the electrical connection as described in the section 'Electrical Requirements' (page 2). Once the electrical connection has been established, test the worktop illumination and the three speed fan.

Fig.1



Installing your Cooker Hood

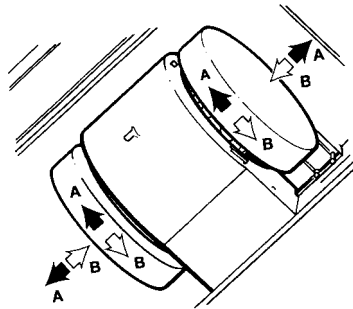
RECIRCULATION:

The chimney hood is supplied specified for installation in the extraction mode. To convert to recirculation it will be necessary to obtain the optional pack of two carbon filters. In the recirculation mode, contaminated air enters the chimney hood and passes through the grease filters and carbon filters and then out into the kitchen through two grilles, at either side of the lower chimney.

To convert the chimney hood to recirculation proceed as follows:

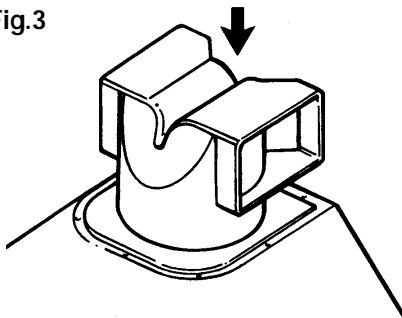
1. To fit the carbon filters, open the metal grease filters. Place one filter over the inlet grille at either end of the fan housing and twist into position (Fig.2).

Fig.2



2. Fit the recirculation spigot over the round outlet on top of the canopy, whilst pressing down on the spigot (Fig.3).

Fig.3



NOTE: The two venting grilles must not be fitted into the chimney stack until the chimney stack has been installed onto the wall above the canopy.

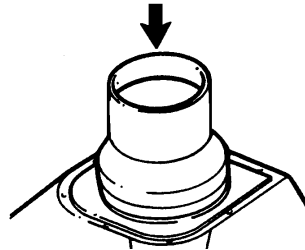
EXTRACTION:

Ducting Fitting

The chimney hood can be ducted to the outside, using either rigid or flexible ducting of 100mm, 120mm or 150mm. The choice of ducting is left to the discretion of the installer, however, the best performance will be obtained by using 150mm of rigid ducting. Where flexible ducting is fitted it should not be turned through very tight bends as this could impair the performance of the hood. The ducting must be manufactured from fire retardant material conforming to the relevant British Standard or DIN 4102-B1.

Where the 125mm ducting is used, it will be necessary to install the reduction flange and 125 ÷ 125mm ducting collar over the air out-

Fig.4



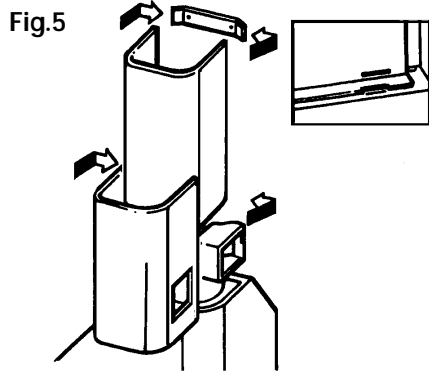
let in the top of the canopy (Fig.4). The installer should provide suitable ducting and sealing tape for the installation. The (optional) carbon filter is not required when the hood is installed in the ducting mode.

Installing your Cooker Hood

Fitting the Chimney Stack:

To fit the upper chimney section, first expand the chimney slightly to allow it to be fitted over the wall brackets. Then secure the upper section using the four self tapping screws provided.

The lower chimney section should be located following instructions on page 6, ensuring that the lugs in the base of the chimney are seated into the two recesses on either side of the canopy (Fig.5).



ATTENTION: Should the lower chimney section subsequently be removed, the two securing lugs in the top canopy must be released.

Once the chimney stack has been installed, fit the two venting grilles into the apertures located on either side of the lower chimney stack. The grilles are marked with two arrows and should be fitted with one arrow pointing upwards and the other towards the front.

When used in the recirculation mode, ensure the grilles are properly secured to the recirculation spigot.

Operating your Cooker Hood

The Controls

Make sure that the Cooker Hood is wired in and the power supply is switched on.

The Cooker Hood functions are controlled by two slide switches, located front centre on the underside of the hood.

To obtain the best performance it is advisable to switch on the chimney hood a few minutes before you start cooking and leave it running for approximately 15 minutes after finishing.

Fan Speed

The right slider enables you to select the fan speed. Your Cooker Hood has three speeds to give you the correct extraction level to suit your cooking conditions.

Position 1 should be selected when simmering or when using only one pan.

Position 2 should be selected for normal cooking up to four pans.

Position 3 should be selected when frying or cooking food with strong odours.

Simply slide the selector to the required setting.

Work Top Illumination

The left slider (ON/OFF) enables you to switch on the worktop illumination.

Do's and Don'ts

DO

- Do** take extra care when frying.
- Do** keep the heating areas on your hob covered over with pots and pans etc. when using the hob and Cooker Hood simultaneously (especially if you are using a gas hob).
- Do** make sure that there is an adequate air inlet into the room if you are using the hood to vent externally and have a boiler or fire in the room, so that fumes are not drawn back from the flue.
- Do** install the hood at the correct height, allowing at least the minimum distance above a cooking appliance (see page 5).

DON'T

- Don't** use the hood without the grease filter.
- Don't** leave a naked flame under the hood.
- Don't** leave cooker/hob hotplates 'On' when not covered, as the fan motor of this cooker hood incorporates a thermal cut-out device which will operate if the hood overheats. The fan motor will take approximately 20 minutes to automatically reset at which point the hood will resume normal functions.
- NEVER** do flambé cooking beneath this cooker hood.
- NEVER** leave frying pans or deep fat fryers unattended during use, overheated fat/oil may catch fire.

Caring for your Cooker Hood

Before doing any cleaning or replacing the filters or light bulb, always ensure that the electricity supply to the Cooker Hood is switched 'OFF'.

Filters and their replacement:

THE METAL GREASE FILTERS -

The grease filters are fitted to absorb grease and dust during cooking to help keep the appliance clean inside.

The metal filters must be cleaned frequently, at least once every thirty days of normal use.

The filters should be handwashed in hot soapy water. Alternatively they could be washed in a dishwasher.

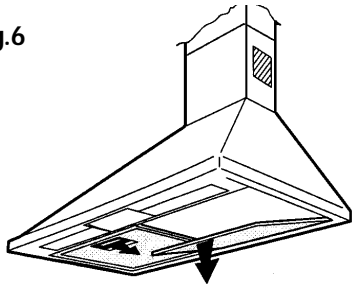
After cleaning the filters, dry thoroughly before reinstalling.

IMPORTANT: There could be a possible fire hazard if the grease filter is not cleaned when necessary and according to these instructions.

TO REMOVE THE GREASE FILTERS -

Release the catches on the filter (Fig.6), then the filter can be removed.

Fig.6



THE CARBON FILTER (2 pieces) - (Recirculation Model only...)

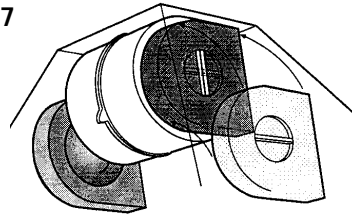
The carbon filter absorbs odours arising from the cooking. In use, the filter will slowly become saturated and gradually less effective. The filter will normally require changing every four months, depending on the amount and type of cooking.

NOTE: The carbon filter must never be washed.

TO FIT THE CARBON FILTERS -

1. Remove the grease filters.
2. Place one filter on each side so that they cover the grates protecting the rotor on the motor.
3. Turn the centre handle (Fig.7) clockwise until filters are fixed in position.
4. Refit the grease filters.

Fig.7



TO REPLACE THE CARBON FILTERS -

1. Remove the grease filters.
2. Turn the centre handle (Fig.7) anti-clockwise until the filters are released.
3. Fit new carbon filters as above.
4. Refit grease filters.

Caring for your Cooker Hood

Cleaning:

For your own safety and in the interest of hygiene your Cooker Hood needs to be kept clean. A build up of grease or fat from cooking could cause a fire hazard.

Never use excessive amounts of water when cleaning, particularly around the control panel area.

The metal casing and grille assembly should be cleaned at least once a month to keep it looking like new. Wipe over with a soft cloth, wrung out in warm water and dry with a clean soft cloth. Wear protective gloves.

You can use mild non-abrasive cleaners but always read the manufacturer's instructions first. Always test their suitability on a small area of the Cooker Hood not noticeable in normal use.

NOTE: DO NOT use scouring pads or abrasive cleaners as they may scratch the surface.

How to replace the light:

Should the light fail to work, switch 'Off' the mains supply to the Hood.

First, remove the grease filters.

Remove the lamp cover and first check the bulb is screwed securely into the lamp holder then switch 'On' at the mains supply.

If the light still fails to work do not worry, it will not affect the working of your hood.

Obtain a replacement 40 Watt max (E14).

Switch 'Off' the mains supply. Unscrew the old bulb anti-clockwise to remove and replace with the new bulb turning clockwise until secure.

Refit the lamp cover and the grease filters then switch back 'On' at the mains supply.

NOTE: When changing the bulb, an identical replacement must be fitted to ensure the safe operation of the hood.

Troubleshooting.

First, don't panic!

There may be nothing wrong at all. Look for your problem below, then check the things we suggest. More often than not, this will give you the answer to your problem, and you'll be able to carry on without having to telephone your Service Office.

It is not working!

Are you using a plug and socket?

- Check that the plug is firmly pushed in.
- Check the power supply, by plugging in another appliance.
- Has the fuse blown?

It is not working!

Is the mains lead wired directly into a double pole isolating switch?

- Check that the wires in the mains lead are correctly connected. (See page 2)

The Cooker Hood is not working satisfactorily...

- Check you have selected the correct fan speed. (See page 9)
- Check you have left the cover over the recirculation grille on top of the Hood (extraction only), (See page 7).
- Check if the grease filter needs cleaning (See page 10).

The light is not working...

- Check the bulb is screwed in securely.
- Replace the light bulb (See page 11)

The Cooker Hood switches off intermittently...

- Check the mounting height above the hob is correct (See page 5).
The heat from the hob may cause the fan motor to overheat/cut-out.

If, after following these instructions, you are still having problems, contact your nearest Service Centre (See back cover).

Parts

Please remember your new appliance is a complex piece of equipment.

'DIY' repairs or unqualified and untrained service people may put you in danger, could damage the appliance and might mean that you lose cover under the Guarantee.

If you do experience a problem with the appliance, don't take any risks, call in a Service Engineer (See back cover).

Our Parts are designed exclusively to fit only GDA Ltd appliances. Do not use them for any other purpose as you may create a safety hazard.

Key Contacts

Service

Creda has the largest appliance manufacturer's service team in Europe, trained specialists directly employed by us to ensure your complete confidence.

Repair Service

UK: 08709 066 066

Republic of Ireland: 1850 302 200

You will be asked for the following information:-

Name, address and postcode.

Telephone number

Model / Serial number of the appliance

Clear and concise details of the query or fault

Place and Date of purchase

(Please keep the receipt as evidence will be required when the engineer calls).

Extended Warranty

To join: UK 08709 088 088

Republic of Ireland: 1850 502 200

Genuine Parts & Accessories

Mail Order Hotline

UK: 08709 077 077

Republic of Ireland: (01) 842 6836

For further product information 08701 54 64 74

All Creda Services are offered as an extra benefit and do not affect your statutory rights.



General Domestic Appliances Limited, Morley Way, Peterborough, PE2 9JB

Part No. FP080-01